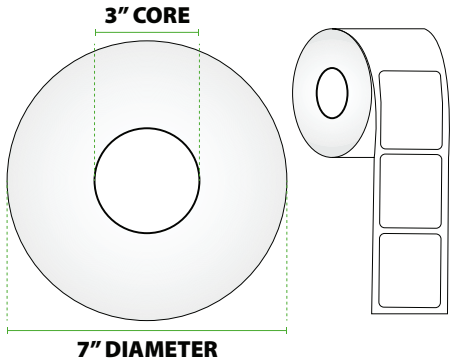


Thermal Labels



- Made in U.S.A.
- Sold in case quantity only
- All label sizes are perforated (roll and fan-fold)
- Ultra smooth specially coated paper with permanent adhesive
- Use as shipping, product identification, bar code labels and more

Typical Properties (Roll):

Product Number	Size (H x W)	Labels per Roll	Rolls per Case	Cases per Pallet	Type
TTL-0402	4" x 2"	3000	4	75	Thermal Transfer
TTL-0403	4" x 3"	2000	4	75	Thermal Transfer
TTL-0406	4" x 6"	1000	4	75	Thermal Transfer
TDL-0402	4" x 2"	3000	4	75	Direct Thermal
TDL-0403	4" x 3"	2000	4	75	Direct Thermal
TDL-0406	4" x 6"	1000	4	75	Direct Thermal

Typical Properties (Fan-Fold):

Product Number	Size (H x W)	Labels per Stack	Stacks per Case	Cases per Pallet	Type
TTF-0406	4" x 6"	2000	2	75	Thermal Transfer
TDF-0406	4" x 6"	2000	2	75	Direct Thermal